

## Cuvettes

### Description

Cuvettes, PS, Two optical windows, Non-Sterile

### Purpose

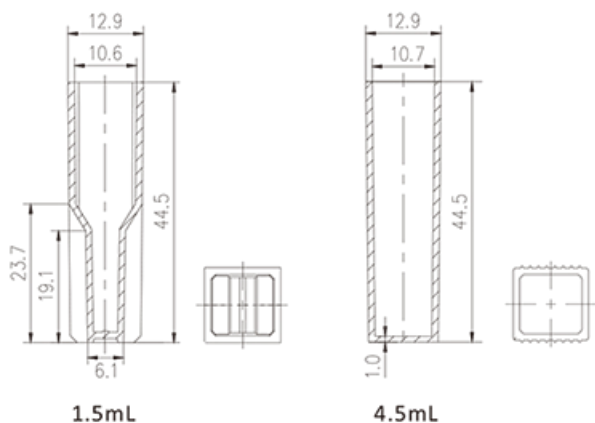
Cuvettes are select disposable products for their optics speciality and chemically resistant

### Materials

Cuvettes: PS (Polystyrene)



### Dimensions (Unit: mm)



### Features

- Available with 2 standard volume of 1.5mL and 4.5mL, 10mm path length
- CV of transmittance is less than 0.3%
- Recommended wavelength range: 400 - 800 nm
- Resistant with most polar organic solvents
- Smooth sides make optical pathway no inflecting
- Recessed sides prevent scratching and convenient for grip
- Manufactured in a class 100,000 room environment
- Manufactured under ISO13485 and ISO9001 quality management system



## Cuvettes

Cat. No.	Volume	Recommended Working Volume	Speciality	Sterilization	Qty/Box	Qty/Case
CUV010015	1.5 mL	1-2.5 mL	Two optical windows	No	100	1000
CUV010045	4.5 mL	3-4 mL	Two optical windows	No	100	1000