

Tube Vacuum Filters

Description

150mL Top Vacuum Filter with 50mL centrifuge tube, Sterile

Purpose

Minimizes unnecessary transfers by filtering directly into 50mL centrifuge tube

Materials

Housing: Lid, Cup, Bottle(GPPS/General Polystyrene);

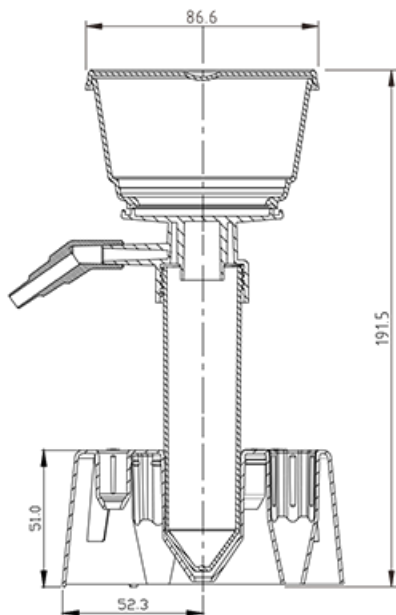
Connect(ABS/Acrylonitrile-Butadiene-Styrene); Tip(PP/Polypropylene);

Tube: PP(Polypropylene); Cap: HDPE(High-density Polyethylene)

Stand: PP (Polypropylene)



Dimensions (Unit: mm)



Features

- Available with 5 membrane types of PVDF, PES, MCE, NYLON, CA
- 2 pore sizes: 0.22 and 0.45µm
- Membrane type and pore size printed on unit
- Tube stand is available with 1.5mL, 2.0mL, 15mL, 50mL conical centrifuge tubes
- Each polypropylene centrifuge tube is supplied with an individually wrapped cap for storage
- Designed hose connector can fit multiplicate hose diameters
- Effective filtration area of membrane: 15.16cm²
- Hold-up Volume after purge: ≤ 3mL
- DNase/RNase free and Non-pyrogenic
- Sterilized by irradiation SAL10⁻⁶ (ISO11137)
- Shelf Life: 3 years after month of production
- Manufactured in a class 100,000 room environment
- Manufactured under ISO13485 and ISO9001 quality management system



Membrane Performance Characteristics

Membrane material	PVDF	PVDF	MCE	MCE
Pore size	0.22µm	0.45µm	0.22µm	0.45µm
Average bubble point	56 psi	25 psi	51 psi	31 psi
Flow time(at 13psi)	7.2mL/min/cm ²	29mL/min/cm ²	18µL/min/cm ²	60µL/min/cm ²

Membrane material	Pore size	Water flow rate (mL/min/cm ² @ 0.7bar, 10psi)	Water bubble point (psi)
PES	0.22µm	19.3~34.6	53.0~69.0
PES	0.45µm	38.0~100.0	36.0~48.0
NYLON	0.22µm	8.07~14.08	40.0~60.0
NYLON	0.45µm	16.0	29.0

Membrane Performance Characteristics

Membrane material	CA	CA
Pore size	0.22µm	0.45µm
Minimum bubble point psi(kg/cm ²)	50 (3.50)	30 (2.10)
Typical flow rate, mL/min/cm ² @ 10psi (0.7kg/cm ²)	16.1 (1.13)	54.7 (3.85)

Tube Top Vacuum Filters

Cat. No.	Membrane Type	Pore Size	Capacity	Membrane Diameter	Sterilization	Packaging Configuration
FCF000001	CA	0.45µm	150mL	ø50mm	Yes	1/bag, 24/case
FCF000002	CA	0.22µm	150mL	ø50mm	Yes	1/bag, 24/case
FCF000003	PES	0.45µm	150mL	ø50mm	Yes	1/bag, 24/case
FCF000004	PES	0.22µm	150mL	ø50mm	Yes	1/bag, 24/case
FCF000005	MCE	0.45µm	150mL	ø50mm	Yes	1/bag, 24/case
FCF000006	MCE	0.22µm	150mL	ø50mm	Yes	1/bag, 24/case
FCF000007	PVDF	0.45µm	150mL	ø50mm	Yes	1/bag, 24/case
FCF000008	PVDF	0.22µm	150mL	ø50mm	Yes	1/bag, 24/case
FCF000009	NYLON	0.45µm	150mL	ø50mm	Yes	1/bag, 24/case
FCF000010	NYLON	0.22µm	150mL	ø50mm	Yes	1/bag, 24/case

Tube Vacuum Filters System

Cat. No.	Membrane Type	Pore Size	Capacity	Membrane Diameter	Sterilization	Packaging Configuration
FCF010001	CA	0.45µm	150mL	ø50mm	Yes	1/bag, 12/case
FCF010002	CA	0.22µm	150mL	ø50mm	Yes	1/bag, 12/case
FCF010003	PES	0.45µm	150mL	ø50mm	Yes	1/bag, 12/case
FCF010004	PES	0.22µm	150mL	ø50mm	Yes	1/bag, 12/case
FCF010005	MCE	0.45µm	150mL	ø50mm	Yes	1/bag, 12/case
FCF010006	MCE	0.22µm	150mL	ø50mm	Yes	1/bag, 12/case
FCF010007	PVDF	0.45µm	150mL	ø50mm	Yes	1/bag, 12/case
FCF010008	PVDF	0.22µm	150mL	ø50mm	Yes	1/bag, 12/case
FCF010009	NYLON	0.45µm	150mL	ø50mm	Yes	1/bag, 12/case
FCF010010	NYLON	0.22µm	150mL	ø50mm	Yes	1/bag, 12/case