

## 25mL Reagent Reservoirs

### Description

25 mL, White, Sterile or Non-sterile

### Purpose

Reagent Reservoirs are designed for liquid transfer, also the first assistant container choice for repetitive pipettors

### Materials

Reagent Reservoir: PS (Polystyrene)

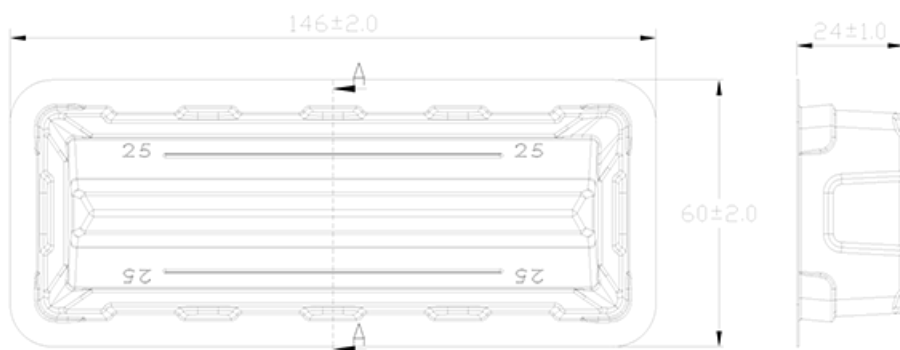
Color: White

### Features

- Engraved graduation ensure accuracy
- Quiet handing and light weight
- Corrosion-proof
- Tapped for nesting when stored
- Stability is strong, easy to operate with scale
- DNase/RNase free and non-pyrogenic
- Sterilized by irradiation SAL10<sup>-6</sup> (ISO11137)
- Shelf Life: 3 years after month of production
- Manufactured in a class 100,000 room environment
- Manufactured under ISO13485 and ISO9001 quality management system



Dimensions (Unit: mm)



## 25mL Reagent Reservoirs

Cat. No.	Description	Graduation	Sterilization	Qty/Pk	Qty/Case
LTT002025	25mL Reagent Reservoirs, White, Bulk	Yes	No	100	100
LTT012025	25mL Reagent Reservoirs, White, Individually Package	Yes	Yes	1	50
LTT052025	25mL Reagent Reservoirs, White, Bulk	Yes	Yes	5	100

## 50mL Reagent Reservoirs

### Description

50 mL, White, Sterile or Non-sterile

### Purpose

Reagent Reservoirs are designed for liquid transfer, also the first assistant container choice for repetitive pipettors

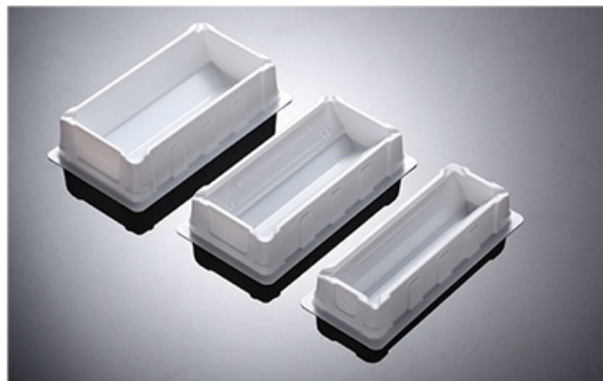
### Materials

Reagent Reservoir: PS (Polystyrene)

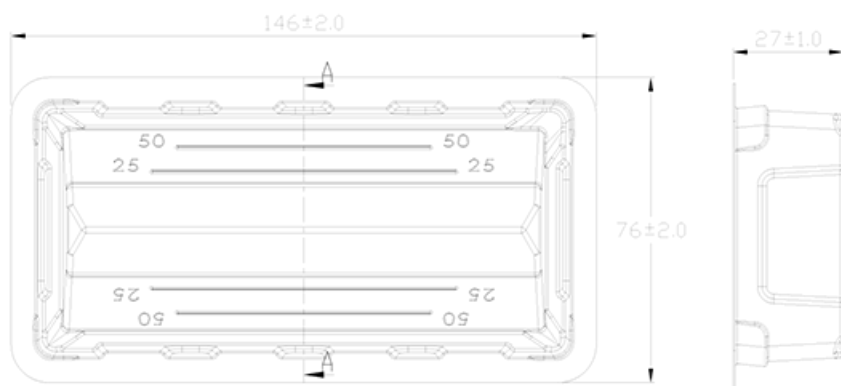
Color: White

### Features

- Engraved graduation ensure accuracy
- Quiet handing and light weight
- Corrosion-proof
- Tapped for nesting when stored
- Stability is strong, easy to operate with scale
- DNase/RNase free and non-pyrogenic
- Sterilized by irradiation SAL10<sup>-6</sup> (ISO11137)
- Shelf Life: 3 years after month of production
- Manufactured in a class 100,000 room environment
- Manufactured under ISO13485 and ISO9001 quality management system



### Dimensions (Unit: mm)



## 50mL Reagent Reservoirs

Cat. No.	Description	Graduation	Sterilization	Qty/Pk	Qty/Case
LTT002050	50mL Reagent Reservoirs, White, Bulk	Yes	No	100	100
LTT012050	50mL Reagent Reservoirs, White, Individually Package	Yes	Yes	1	50
LTT052050	50mL Reagent Reservoirs, White, Bulk	Yes	Yes	5	100

## 100mL Reagent Reservoirs

### Description

100 mL, White, Sterile or Non-sterile

### Purpose

Reagent Reservoirs are designed for liquid transfer, also the first assistant container choice for repetitive pipettors

### Materials

Reagent Reservoir: PS (Polystyrene)

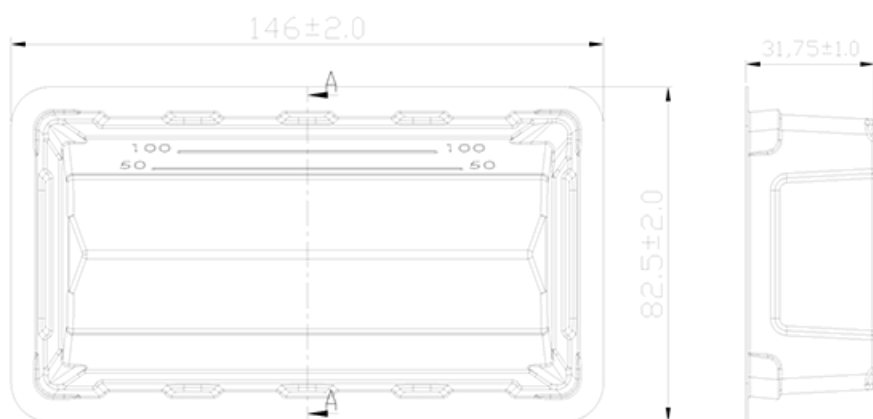
Color: White

### Features

- Engraved graduation ensure accuracy
- Quiet handing and light weight
- Corrosion-proof
- Tapped for nesting when stored
- Stability is strong, easy to operate with scale
- DNase/RNase free and non-pyrogenic
- Sterilized by irradiation SAL10<sup>-6</sup> (ISO11137)
- Shelf Life: 3 years after month of production
- Manufactured in a class 100,000 room environment
- Manufactured under ISO13485 and ISO9001 quality management system



### Dimensions (Unit: mm)



## 100mL Reagent Reservoirs

Cat. No.	Description	Graduation	Sterilization	Qty/Pk	Qty/Case
LTT002100	100mL Reagent Reservoirs, White, Bulk	Yes	No	100	100
LTT012100	100mL Reagent Reservoirs, White, Individually Package	Yes	Yes	1	50
LTT052100	100mL Reagent Reservoirs, White, Bulk	Yes	Yes	5	100

## 50mL Reagent Reservoirs

### Description

50 mL, White, Sterile or Non-sterile

### Purpose

Reagent Reservoirs are designed for liquid transfer, also the first assistant container choice for repetitive pipettors

### Materials

Reagent Reservoir: PS (Polystyrene)

Color: White

### Dimensions (Unit: mm)



### Features

- Quiet handling and light weight
- Corrosion-proof
- Tapped for nesting when stored
- Stability is strong, easy to operate with scale
- DNase/RNase free and non-pyrogenic
- Sterilized by irradiation SAL10<sup>-6</sup> (ISO11137)
- Shelf Life: 3 years after month of production
- Manufactured in a class 100,000 room environment
- Manufactured under ISO13485 and ISO9001 quality management system



## 50mL Reagent Reservoirs

Cat. No.	Description	Graduation	Sterilization	Qty/Pk	Qty/Case
LTT000050	50mL Reagent Reservoirs, White, Bulk	No	No	20	400
LTT001050	50mL Reagent Reservoirs, White, Bulk	No	Yes	20	400
LTT010050	50mL Reagent Reservoirs, White, Individually Package	No	No	1	80
LTT011050	50mL Reagent Reservoirs, White, Individually Package	No	Yes	1	80