

48 Well Square Deep Well Plate

Description

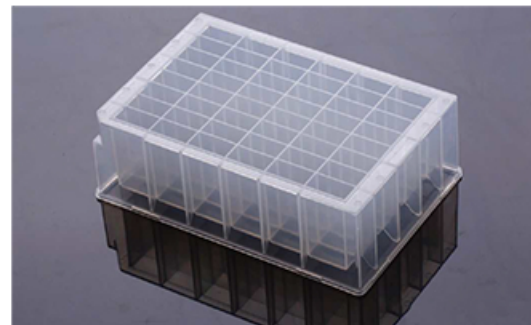
48 Well Square Deep Well Plate, Clear, Sterile or Non-sterile

Purpose

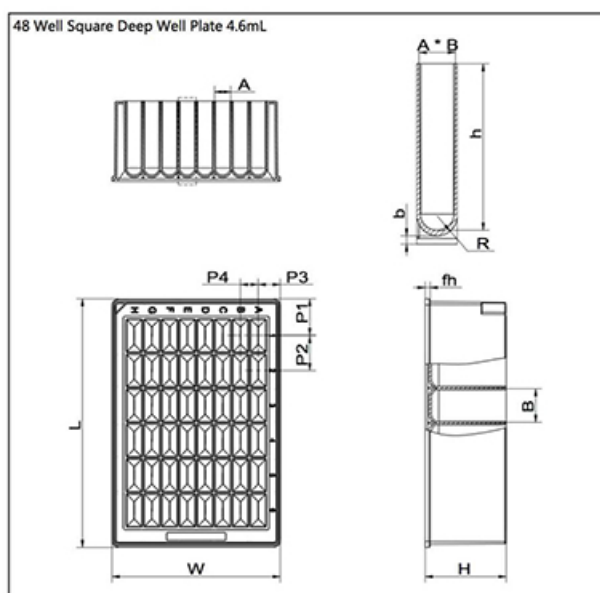
Suitable for storage of organic solutions, acidic and alkaline solutions, etc

Materials

Plate: PP (Polypropylene)



Dimensions (Unit: mm)



Features

- Manufactured from high-quality polypropylene
- Well volumes: 4.6mL
- Resistant to a wide variety of chemicals
- Compatible with most robotic samplers and automated liquid handling systems
- Designed notched corners to facilitate orientation
- Wells are labeled with alphanumeric code for easy identification
- Can be used with flexible mat covers reduce sample evaporation and contamination
- DNase/RNase free and non-pyrogenic
- Sterilized by irradiation SAL10⁻⁶ (ISO11137)
- Shelf Life: 3 years after month of production
- Manufactured in a class 100,000 room environment
- Manufactured under ISO13485 and ISO9001 quality management system

Plate type	Plate dimension (mm)			Well dimension (mm)			
	Length	Width	Height	Depth	Edge length		
4.6ML	L	W	H	fh	h	A	B
4.6ML	127.76	85.48	41.20	2.50	38.00	8.20	17.20
Plate type	Bottom (mm)		Position of well center (mm)				Theoretical Weight(g)
	radius	Space					
4.6ML	R	b	P1	P2	P3	P4	
4.6ML	4.50	1.90	18.88	18.00	11.24	9.00	80.35



48 Well Square Deep Well Plate

Cat. No.	Well Qty.	Volume	Well Shape	Bottom Shape	Lid	Sterilization	Packaging Configuration
DMP463248	48	4.6 mL	Square	U Bottom	No	Yes	5 plates/bag, 2 bags/box, 50/case
DMP462048	48	4.6 mL	Square	U Bottom	No	No	24 plates/box, 96/case

96 Well Square Deep Well Plate

Description

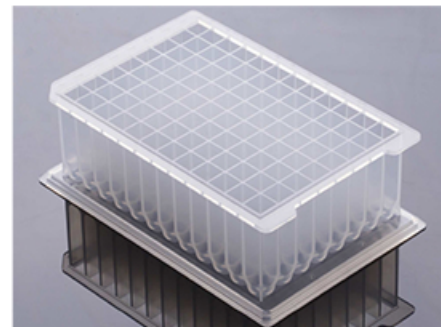
96 Well Square Deep Well Plate, Profile Concave, Clear, Sterile or Non-sterile

Purpose

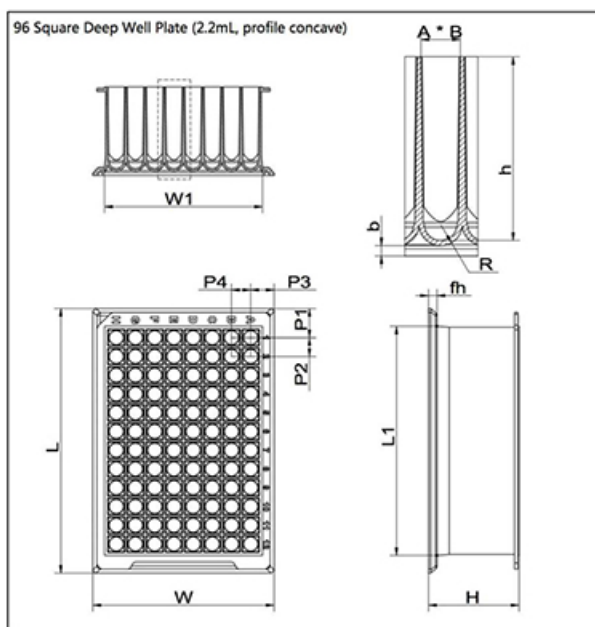
Suitable for storage of organic solutions, acidic and alkaline solutions, etc

Materials

Plate: PP (Polypropylene)



Dimensions (Unit: mm)



Features

- Manufactured from high-quality polypropylene
- Well volumes: 2.2mL
- Resistant to a wide variety of chemicals
- Compatible with most robotic samplers and automated liquid handling systems
- Designed notched corners to facilitate orientation
- Wells are labeled with alphanumeric code for easy identification
- Can be used with flexible mat covers reduce sample evaporation and contamination
- DNase/RNase free and non-pyrogenic
- Sterilized by irradiation SAL10⁻⁶ (ISO11137)
- Shelf Life: 3 years after month of production
- Manufactured in a class 100,000 room environment
- Manufactured under ISO13485 and ISO9001 quality management system

Plate type	Plate dimension [mm]						Well dimension [mm]	
	Length		Width		Height		Depth	Edge length
2.2ML	L	L1	W	W1	H	fh	h	A/B
2.2ML	127.00	110.00	85.00	74.00	41.90	4.00	38.60	2.20
Plate type	Bottom radius [mm]		Position of well center [mm]				Theoretical Weight[g]	
	R	b	P1	P2	P3	P4		
2.2ML	4.50	2.20	14.00	9.00	11.00	9.00	90.70	



96 Well Square Deep Well Plate

Cat. No.	Well Qty.	Volume	Well Shape	Bottom Shape	Lid	Sterilization	Packaging Configuration
DMP223296	96	2.2 mL	Square	U Bottom	No	Yes	5 plates/bag, 2 bags/box, 50/case
DMP222096	96	2.2 mL	Square	U Bottom	No	No	24 plates/box, 96/case

96 Well Square Deep Well Plate

Description

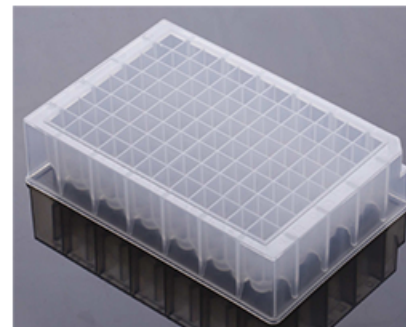
96 Well Square Deep Well Plate, Clear, Sterile or Non-sterile

Purpose

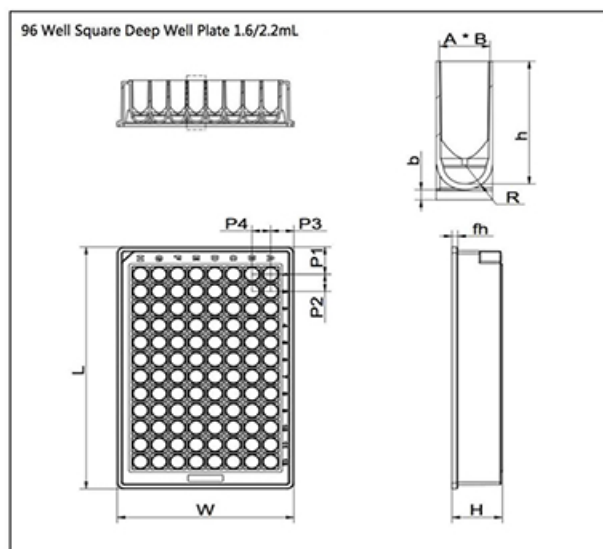
Suitable for storage of organic solutions, acidic and alkaline solutions, etc

Materials

Plate: PP (Polypropylene) Sealing Mat: Silicone / Sealing Film: PVC



Dimensions (Unit: mm)



Features

- Manufactured from high-quality polypropylene
- 2 Well volumes: 1.6mL and 2.2mL
- Resistant to a wide variety of chemicals
- Compatible with most robotic samplers and automated liquid handling systems
- Designed notched corners to facilitate orientation
- Wells are labeled with alphanumeric code for easy identification
- Can be used with flexible mat covers reduce sample evaporation and contamination
- DNase/RNase free and non-pyrogenic
- Sterilized by irradiation SAL10⁻⁶ (ISO11137)
- Shelf Life: 3 years after month of production
- Manufactured in a class 100,000 room environment
- Manufactured under ISO13485 and ISO9001 quality management system

Plate type	Plate dimension [mm]			Well dimension [mm]			
	Length	Width	Height	Depth	Edge length		Theoretical Weight[g]
	L	W	H	fh	h	A	
1.6ML	127.76	85.48	31.60	2.50	28.50	8.20	8.20
2.2ML	127.50	85.40	41.60	2.80	39.00	8.20	8.20

Plate type	Bottom [mm]		Position of well center [mm]				Theoretical Weight[g]
	radius	Space					
	R	b	P1	P2	P3	P4	
1.6ML	4.50	1.80	14.38	9.00	11.24	9.00	77.70
2.2ML	4.50	1.80	14.25	9.00	11.20	9.00	101.60



96 Well Square Deep Well Plate

Cat. No.	Well Qty.	Volume	Well Shape	Bottom Shape	Lid	Sterilization	Packaging Configuration
DMP160096	96	1.6 mL	Square	U Bottom	No	No	1 plate/bag, 50/case
DMP161096	96	1.6 mL	Square	U Bottom	No	Yes	1 plate/bag, 50/case
DMP160196	96	1.6 mL	Square	U Bottom	Yes	No	1 plate/bag, 50/case
DMP161196	96	1.6 mL	Square	U Bottom	Yes	Yes	1 plate/bag, 50/case

96 Well Square Deep Well Plate

Cat. No.	Well Qty.	Volume	Well Shape	Bottom Shape	Lid	Sterilization	Packaging Configuration
DMP220096	96	2.2 mL	Square	U Bottom	No	No	1 plate/bag, 50/case
DMP221096	96	2.2 mL	Square	U Bottom	No	Yes	1 plate/bag, 50/case
DMP220196	96	2.2 mL	Square	U Bottom	Yes	No	1 plate/bag, 50/case
DMP221196	96	2.2 mL	Square	U Bottom	Yes	Yes	1 plate/bag, 50/case

Seal and cover

Cat. No.	Description	Sterilization	Packaging Configuration
DMP010096	Sealing Film for Deep Well Plate	No	50/bag, 1000/case
DMP011096	Sealing Film for Deep Well Plate	Yes	100/bag, 1000/case
DMP020096	Sealing Mat for 96 Square Deep Well Plate, can be punctured	No	50/bag, 100/case
DMP021096	Sealing Mat for 96 Square Deep Well Plate, can be punctured	Yes	50/bag, 100/case