

25mL Tissue Culture Flasks

Description

25 mL, Surface Treated or Non-Treated, Plug Seal Cap or Vent Cap, Sterile

Purpose

For use in applications where cell attachment is desired or not desired

Materials

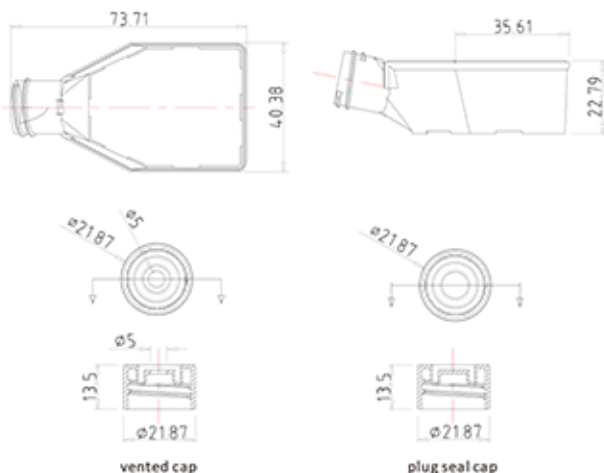
Flask: GPPS (General Polystyrene)

Cap: HDPE (High-density Polyethylene) Color: Light green

Membrane: 0.22 μ m Hydrophobic PVDF (only use for Vent Cap)



Dimensions (Unit: mm)



Features

- Available in Surface Treated or Non-Treated
- Vent caps incorporate a 0.22 μ m hydrophobic membrane for optimal gas exchange while protecting against contamination
- Special area near the neck for easy mark writing
- Both flask sides have engraved graduation
- Working volume: 20 mL
- Recommended Working volume: 8 mL
- Growth area: 12.5 cm²
- Autoclavability: No
- DNase/RNase free and non-pyrogenic
- Sterilized by irradiation SAL10⁶ (ISO11137)
- Shelf Life: 3 years after month of production
- Manufactured in a class 100,000 room environment
- Manufactured under ISO13485 and ISO9001 quality management system



STERILE

R

25mL Tissue Culture Flasks

Cat. No.	Capacity	Surface Type	Cap Style	Sterilization	Qty/Bag	Qty/Box	Qty/Case
TCF001025	25 mL	Non-Treated	Plug Seal Cap	Yes	10	50	200
TCF002025	25 mL	Non-Treated	Vent Cap	Yes	10	50	200
TCF011025	25 mL	Surface Treated	Plug Seal Cap	Yes	10	50	200
TCF012025	25 mL	Surface Treated	Vent Cap	Yes	10	50	200

50mL Tissue Culture Flasks

Description

50 mL, Surface Treated or Non-Treated, Plug Seal Cap or Vent Cap, Sterile

Purpose

For use in applications where cell attachment is desired or not desired

Materials

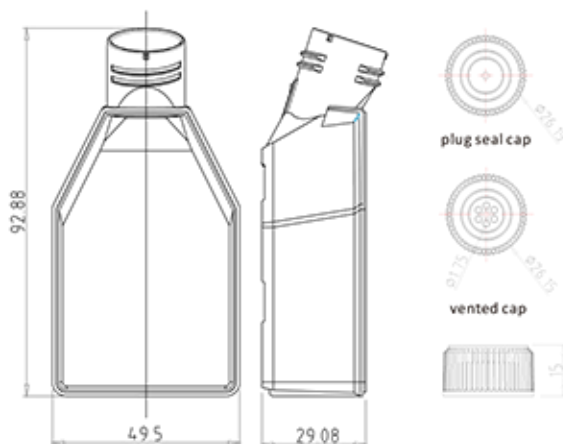
Flask: GPPS (General Polystyrene)

Cap: HDPE (High-density Polyethylene) Color: Light green

Membrane: 0.22 μ m Hydrophobic PVDF (only use for Vent Cap)



Dimensions (Unit: mm)



Features

- Available in Surface Treated or Non-Treated
- Vent caps incorporate a 0.22 μ m hydrophobic membrane for optimal gas exchange while protecting against contamination
- Special area near the neck for easy mark writing
- Both flask sides have engraved graduation
- Working volume: 40 mL
- Recommended Working volume: 17.5 mL
- Growth area: 25.0 cm²
- Autoclavability: No
- DNase/RNase free and non-pyrogenic
- Sterilized by irradiation SAL10⁶ (ISO11137)
- Shelf Life: 3 years after month of production
- Manufactured in a class 100,000 room environment
- Manufactured under ISO13485 and ISO9001 quality management system



STERILE

R

50mL Tissue Culture Flasks

Cat. No.	Capacity	Surface Type	Cap Style	Sterilization	Qty/Bag	Qty/Box	Qty/Case
TCF001050	50 mL	Non-Treated	Plug Seal Cap	Yes	10	50	200
TCF002050	50 mL	Non-Treated	Vent Cap	Yes	10	50	200
TCF011050	50 mL	Surface Treated	Plug Seal Cap	Yes	10	50	200
TCF012050	50 mL	Surface Treated	Vent Cap	Yes	10	50	200

250mL Tissue Culture Flasks

Description

250 mL, Surface Treated or Non-Treated, Plug Seal Cap or Vent Cap, Sterile

Purpose

For use in applications where cell attachment is desired or not desired

Materials

Flask: GPPS (General Polystyrene)

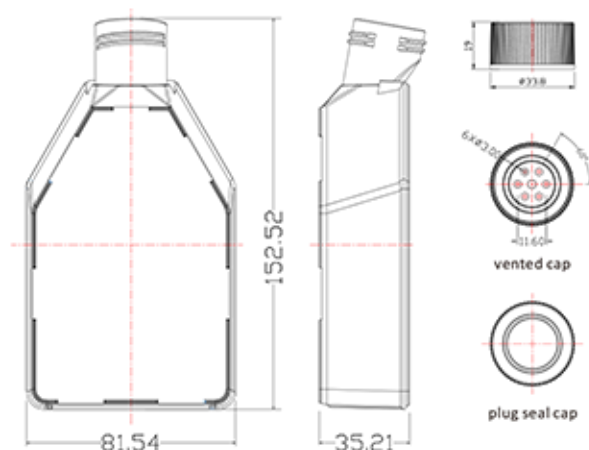
Cap: HDPE (High-density Polyethylene)

Color: Light green

Membrane: 0.22 μ m Hydrophobic PVDF (only use for Vent Cap)



Dimensions (Unit: mm)



Features

- Available in Surface Treated or Non-Treated
- Vent caps incorporate a 0.22 μ m hydrophobic membrane for optimal gas exchange while protecting against contamination
- Special area near the neck for easy mark writing
- Both flask sides have engraved graduation
- Working volume: 175 mL
- Recommended Working volume: 60 mL
- Growth area: 75.0 cm²
- Autoclavability: No
- DNase/RNase free and non-pyrogenic
- Sterilized by irradiation SAL10⁶ (ISO11137)
- Shelf Life: 3 years after month of production
- Manufactured in a class 100,000 room environment
- Manufactured under ISO13485 and ISO9001 quality management system



STERILE

R

250mL Tissue Culture Flasks

Cat. No.	Capacity	Surface Type	Cap Style	Sterilization	Qty/Bag	Qty/Box	Qty/Case
TCF001250	250 mL	Non-Treated	Plug Seal Cap	Yes	5	25	100
TCF002250	250 mL	Non-Treated	Vent Cap	Yes	5	25	100
TCF011250	250 mL	Surface Treated	Plug Seal Cap	Yes	5	25	100
TCF012250	250 mL	Surface Treated	Vent Cap	Yes	5	25	100

600mL Tissue Culture Flasks

Description

600 mL, Surface Treated or Non-Treated, Plug Seal Cap or Vent Cap, Sterile

Purpose

For use in applications where cell attachment is desired or not desired

Materials

Flask: GPPS (General Polystyrene)

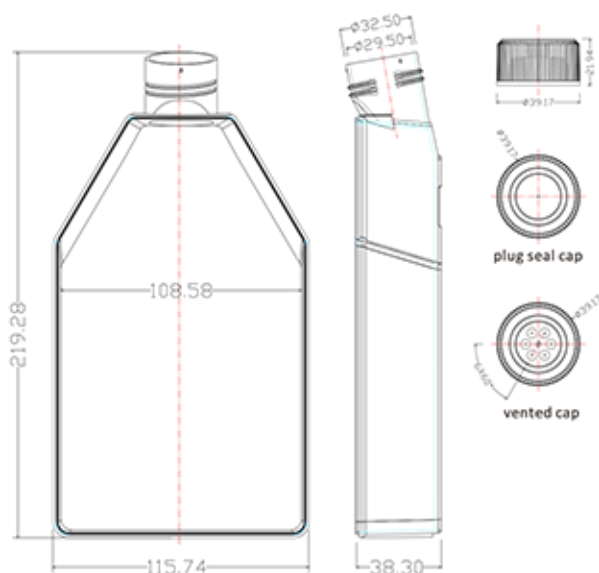
Cap: HDPE (High-density Polyethylene)

Color: Light green

Membrane: 0.22 μ m Hydrophobic PVDF (only use for Vent Cap)



Dimensions (Unit: mm)



Features

- Available in Surface Treated or Non-Treated
- Vent caps incorporate a 0.22 μ m hydrophobic membrane for optimal gas exchange while protecting against contamination
- Special area near the neck for easy mark writing
- Both flask sides have engraved graduation
- Working volume: 400 mL
- Recommended Working volume: 125 mL
- Growth area: 182.0 cm²
- Autoclavability: No
- DNase/RNase free and non-pyrogenic
- Sterilized by irradiation SAL10⁶ (ISO11137)
- Shelf Life: 3 years after month of production
- Manufactured in a class 100,000 room environment
- Manufactured under ISO13485 and ISO9001 quality management system



600mL Tissue Culture Flasks

Cat. No.	Capacity	Surface Type	Cap Style	Sterilization	Qty/Bag	Qty/Box	Qty/Case
TCF001600	600 mL	Non-Treated	Plug Seal Cap	Yes	5	20	40
TCF002600	600 mL	Non-Treated	Vent Cap	Yes	5	20	40
TCF011600	600 mL	Surface Treated	Plug Seal Cap	Yes	5	20	40
TCF012600	600 mL	Surface Treated	Vent Cap	Yes	5	20	40

600mL Extended Tissue Culture Flasks

Description

600 mL, Extended, Surface Treated or Non-Treated, Plug Seal Cap or Vent Cap, Sterile

Purpose

For use in applications where cell attachment is desired or not desired

Materials

Flask: GPPS (General Polystyrene)

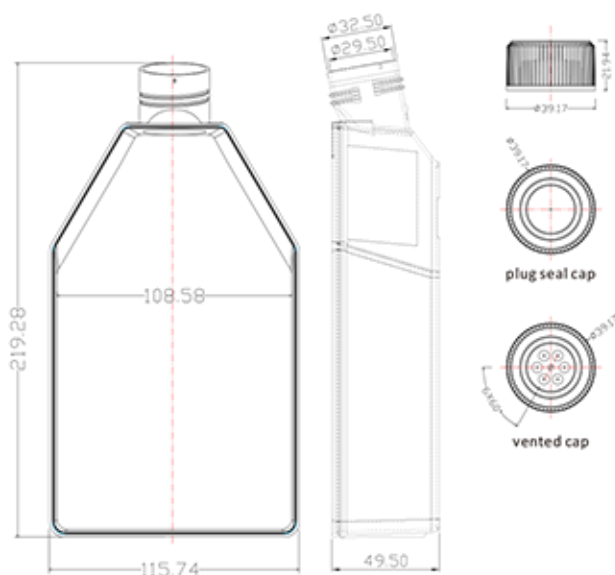
Cap: HDPE (High-density Polyethylene)

Color: Light green

Membrane: 0.22 μ m Hydrophobic PVDF (only use for Vent Cap)



Dimensions (Unit: mm)



Features

- Extended height reduces the risk of overflowing media
- Available in Surface Treated or Non-Treated
- Vent caps incorporate a 0.22 μ m hydrophobic membrane for optimal gas exchange while protecting against contamination
- Special area near the neck for easy mark writing
- Both flask sides have engraved graduation
- Working volume: 500 mL
- Recommended Working volume: 200 mL
- Growth area: 182.0 cm²
- Autoclavability: No
- DNase/RNase free and non-pyrogenic
- Sterilized by irradiation SAL10⁻⁶ (ISO11137)
- Shelf Life: 3 years after month of production
- Manufactured in a class 100,000 room environment
- Manufactured under ISO13485 and ISO9001 quality management system



600mL Extended Tissue Culture Flasks

Cat. No.	Capacity	Surface Type	Cap Style	Sterilization	Qty/Bag	Qty/Box	Qty/Case
TCF101600	600 mL	Non-Treated	Plug Seal Cap	Yes	5	20	40
TCF102600	600 mL	Non-Treated	Vent Cap	Yes	5	20	40
TCF111600	600 mL	Surface Treated	Plug Seal Cap	Yes	5	20	40
TCF112600	600 mL	Surface Treated	Vent Cap	Yes	5	20	40

850mL Tissue Culture Flasks

Description

850 mL, Surface Treated or Non-Treated, Plug Seal Cap or Vent Cap, Sterile

Purpose

For use in applications where cell attachment is desired or not desired

Materials

Flask: GPPS (General Polystyrene)

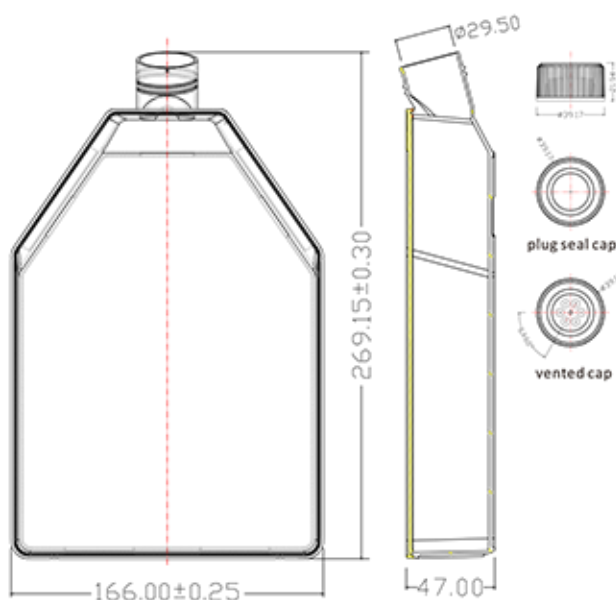
Cap: HDPE (High-density Polyethylene)

Color: Light green

Membrane: 0.22 μ m Hydrophobic PVDF (only use for Vent Cap)



Dimensions (Unit: mm)



Features

- Available in Surface Treated or Non-Treated
- Vent caps incorporate a 0.22 μ m hydrophobic membrane for optimal gas exchange while protecting against contamination
- Special area near the neck for easy mark writing
- Both flask sides have engraved graduation
- Working volume: 850 mL
- Recommended Working volume: 200 mL
- Growth area: 300.0 cm²
- Autoclavability: No
- DNase/RNase free and non-pyrogenic
- Sterilized by irradiation SAL10⁶ (ISO11137)
- Shelf Life: 3 years after month of production
- Manufactured in a class 100,000 room environment
- Manufactured under ISO13485 and ISO9001 quality management system



850mL Tissue Culture Flasks

Cat. No.	Capacity	Surface Type	Cap Style	Sterilization	Qty/Bag	Qty/Box	Qty/Case
TCF001850	850 mL	Non-Treated	Plug Seal Cap	Yes	3	9	18
TCF002850	850 mL	Non-Treated	Vent Cap	Yes	3	9	18
TCF011850	850 mL	Surface Treated	Plug Seal Cap	Yes	3	9	18
TCF012850	850 mL	Surface Treated	Vent Cap	Yes	3	9	18